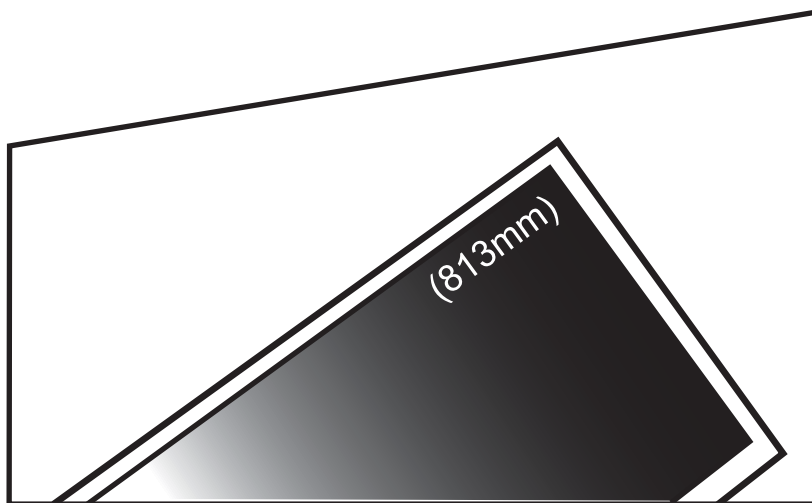


LED TV
User Manual



D120 Series
D30 Series

To obtain the best performance and safety, please read this manual carefully.
Please keep this manual for future reference.


CONTENTS


SAFETY INSTRUCTIONS	2
EXTERNAL SCHEMATIC AND INSTALLATION	3
Antenna/Cable Connection	4
REMOTE CONTROLLER	5
SOURCE	7
BASIC OPERATION	8
Setup	9
Picture	12
Sound	14
Channel	16
Time	23
Lock	25
Hotel	27
MULTIMEDIA OPERATION	28
Movie	28
Music	29
Photo	30
Text	31


SAFETY INSTRUCTIONS

IMPORTANT SAFETY INSTRUCTIONS - PLEASE READ CAREFULLY BEFORE USE.

The following safety instructions are located on the back of the TV.


 DANGER OF ELECTRIC SHOCK! NEVER REMOVE THE SCREWS OF THE COVER. NO USER-SERVICEABLE PARTS IN THE DEVICE. REPAIR ONLY BY QUALIFIED SERVICE PERSONNEL.

 The exclamation mark in the equilateral triangle indicates important operating and maintenance instructions

 The flash in the equilateral triangle indicates high voltage in the device, which can lead to electric shock

Please follow the instructions below:

- ❖ Do not use this TV near water.
- ❖ Only clean the device with a damp cloth.
- ❖ Do not block any ventilation openings.
- ❖ Set up the television in accordance with the supplied quick guide and these operating instructions.
- ❖ Lay the power cable so that it cannot be stepped on or pinched. Pay special attention to the plug and the point at which the cable is led out of the television.
- ❖ Do not let the power cord hang over the edge of the table.
- ❖ Disconnect the TV from the mains if there is a thunderstorm or if it is not used for a long period

 **WARNING! EXPOSE THE TELEVISION TO AVOID FIRE OR ELECTRIC SHOCK OR RAIN OR MOISTURE. THE TELEVISION SHOULD NEVER BE EXPOSED TO SPLASH / DRIP WATER AND NO OBJECTS FILLED WITH LIQUID ON THE TELEVISION**

NOTE: Open flames (such as candles) should never be placed on the TV

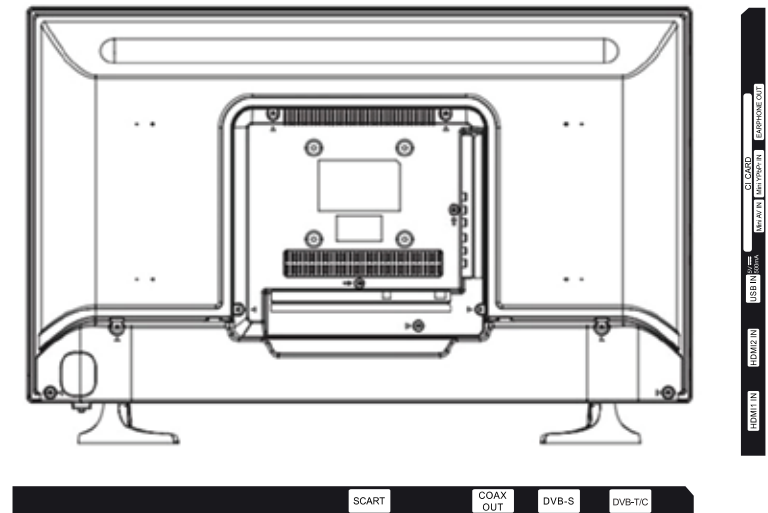
Smells from the TV

New TVs can cause unusual smells when they are switched on for the first time.

Due to the manufacturing process of the components, the television and other electronic products may have parts that produce odors when they are first turned on and warmed up. The smell usually disappears after a few days of use and does not return.

This is normal and occurs with many electronic devices. Ensure that there is sufficient ventilation in and around the device so that the smell can disappear.

EXTERNAL SCHEMATIC AND INSTALLATION

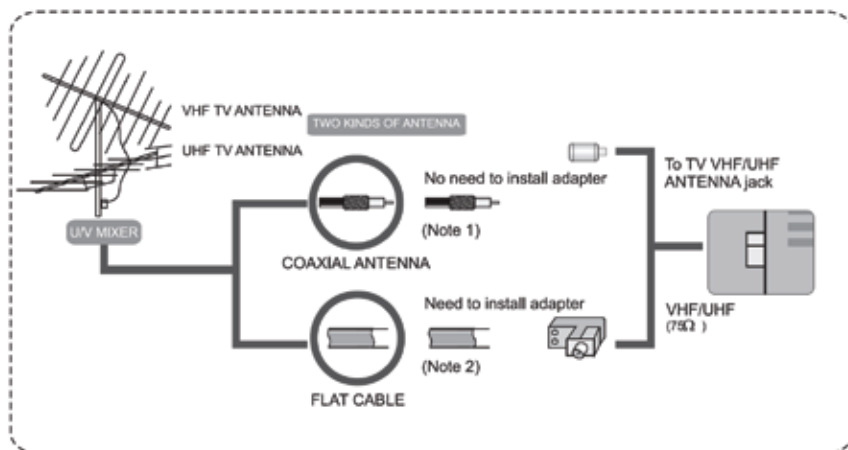


- SCART:** AV input from a device like VCR
Coax Out: Digital Audio Output from TV
DVB-S: Connect RF signal from satellite/DVB-S
DVB-T/C: Connect Analog/ATV signal or Digital/ DVB-T/T2 or DVB-C signal
HDMI1/HDMI2: Connect HDMI input signal from signal source such as Playstation, Xbox etc.
USB: USB support multimedia playback and software upgrade
CI Slot: Insert CI card for Digital TV
Mini AV In: Mini AV input from video playback device
Mini YPbPr In: Mini component input from a video playback device
Earphone Out: Audio output from TV through Earphone

Note: The available source might differ depending on model.

EXTERNAL SCHEMATIC AND INSTALLATION

Antenna/Cable Connection

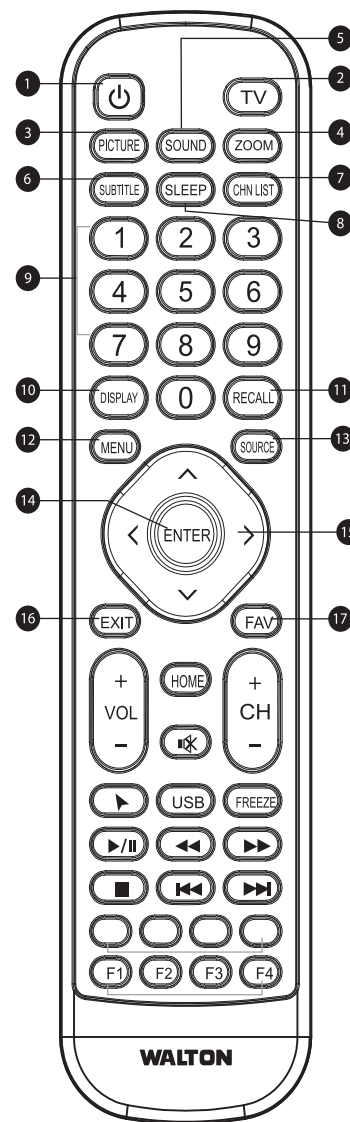


- Connect the Plug of the antenna cable or CATV cable to the cable (not provided with this unit), then connect to the antenna input of this unit for best reception.
- If the antenna cable in your home is other than the above two or you have problems in installing the antenna, please contact your dealer.

Notes:

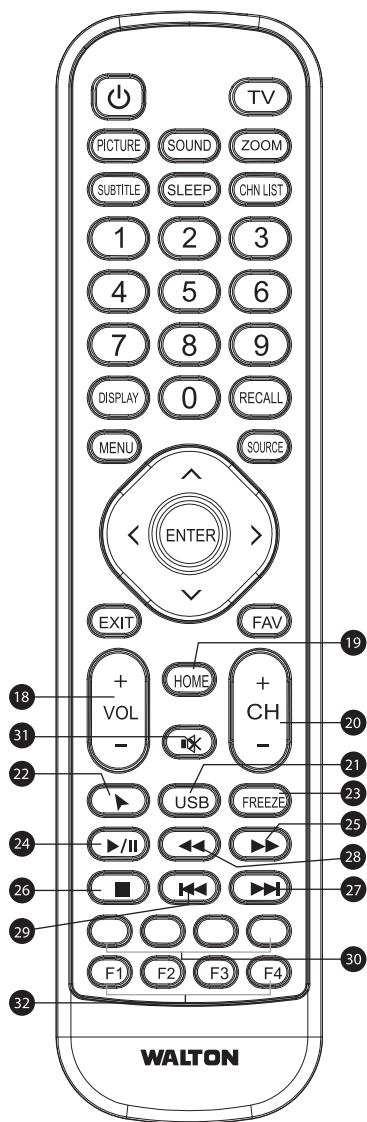
- Current outdoor antenna or cable TV use 75 OHM coaxial antenna cable. For better reception suggest this kind of antenna cable
- Flat cable or indoor antenna are old designed, the reception may not be good enough

REMOTE CONTROLLER



- Standby:** Press the button to On/Off TV Set
- TV:** Press this button to enter directly in TV source
- Picture:** Press the button for selecting the different kind of picture mode
- Zoom:** Press the button to select the desired ratio of picture
- Sound:** Press the button for the desired sound mode
- Subtitle:** Press the button to enter into 'subtitle' service
- CHN List:** Press the button to see the channel list
- Sleep:** Press the button to set the time for auto stop of TV
- Program Select (0-9):** Press the button for selecting the desired channel
- Display:** Press the button for setting the information about the program
- Recall:** Press the button to get back the last viewed channel
- Menu:** Press the button for entry/exit from different function list
- Source:** Press the button for selecting the program source
- Enter:** Press the button for selecting/ensuring any function
- UP/Down/Left/Right:** Press the button for selecting different function in the menu
- Exit:** Press the button to exit from function
- FAV:** Press the button for marking the favorite channel list

REMOTE CONTROLLER



18. **VOL:** Press the button to increase (+) or decrease (-) sound level
19. **Home:** Press the button to enter into the home page of smart TV (Smart Apps, Settings, Source etc.)
20. **CH:** Press the button to increase (+) or decrease (-) channel number
21. **USB:** Press the button to enter directly in USB source
22. **Mouse:** Press this button, cursor will appear in mouse.
23. **FREEZE:** Press the button to freeze the picture or activate again (RF Source)
24. **Play/Pause:** Press the button to enjoy audio/video picture in the USB mode
25. **Fast Forward:** Press the button to move forward audio/video in the USB mode
26. **Stop:** Press the button to stop audio/video/picture in the USB mode
27. **Next:** Press the button for selecting the previous audio/video/picture in USB mode
28. **Fast Backward:** Press the button to move backward audio/video/picture in USB mode
29. **Previous:** Press the button for choosing the previous audio/video/picture USB mode
30. **Color:** Press the button for channel list/desired channel list or adjustment of internal program of USB
31. **Mute:** Press the button to activate/stop sound
32. **Function:** Not applicable

SOURCE



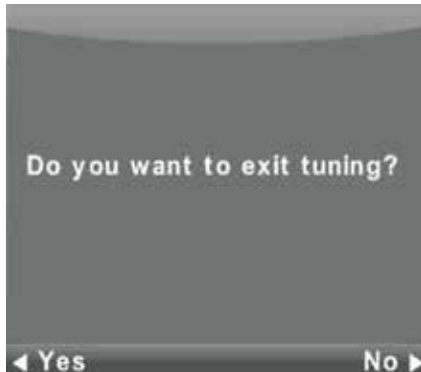
Press **SOURCE** button to display the input source list
 Press **▼ / ▲** or **ENTER** button to select the input source you want
 Press **ENTER** button to enter the input source
 Press **EXIT** button to quit

Note: The available source might differ depending on model.

BASIC OPERATION

Auto Tuning

First tuning ATV, press Menu and left arrow button to skip ATV tuning, Second tuning DTV, press Menu and left arrow button to skip DT



BASIC OPERATION

Setup

Press **MENU** button to display the main menu.

Press **◀ / ▶** button to select **SETUP** in the main menu.



Press **▼ / ▲** button to select the option that you want to adjust in the **SETUP** menu.

Press **Enter** button to adjust.

After finishing your adjustment, Press **Enter** button to save and return to the previous menu.

Language

Select an OSD menu language can be displayed. Default English is selected as menu language.

Press **▼ / ▲ / ◀ / ▶** button to select Menu Language.



BASIC OPERATION

Audio Languages

Press ▼ / ▲ button to select Audio Languages, then press **Enter** button to enter sub-menu.
 Press ◀ / ▶ button to select the primary of Audio Languages.
 Press ▼ / ▲ / ◀ / ▶ button to select the Audio Languages.



Subtitle Language

Press ▼ / ▲ button to select Subtitle Language, then press **Enter** button to enter sub-menu.
 Press ◀ / ▶ button to select the primary of Subtitle Language.
 Press ▼ / ▲ / ◀ / ▶ button to select the Subtitle Language.



BASIC OPERATION

Aspect Ratio

Press ▼ / ▲ button to select Aspect Ratio, then press **Enter** button to enter sub-menu.
 Press ▼ / ▲ button to select aspect ratio.
 (Available options are: Auto, 4:3, 16:9, Zoom1, Zoom2)



Blue Screen

Press ▼ / ▲ button to select Blue Screen, then press **Enter** button to select On or Off.

First Time Installation

Press ▼ / ▲ button to select First time installation, then press **Enter** button to enter.

Reset

Press ▼ / ▲ button to select Reset, then press **Enter** button to enter sub-menu.

Software Update (USB)

Press ▼ / ▲ button to select Software Update (USB), plug your USB device in the USB slot, then press **Enter** button to update the right software.

HDMI CEC

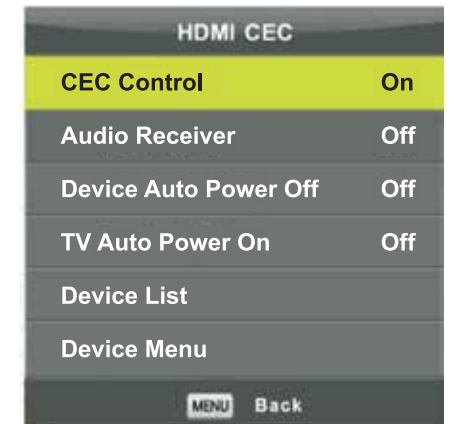
Press ▼ / ▲ button to select HDMI CEC, then press **Enter** button to enter the sub-menu.

HDMI CEC Press ◀ / ▶ button to turn the HDMI CEC On or Off.

HDMI ARC Press ◀ / ▶ button to turn the HDMI ARC On or Off.

Auto Standby Press ◀ / ▶ button to turn the Auto Standby On or Off.

Device List Press **Enter** button to open the main menu of device.



BASIC OPERATION

Picture

Press **MENU** button to display the main menu.

Press ◀ / ▶ button to select **PICTURE** in the main menu



Press ▼ / ▲ button to select the option that you want to adjust in the **PICTURE** menu.

Press **ENTER** button to adjust.

After finishing your adjustment, Press **MENU** button to save and return back to the previous menu

Picture Mode

Press ▼ / ▲ button to select Picture Mode, then press **ENTER** button to enter sub-menu.

You can change the value of contrast, brightness, color, sharpness and tint when the picture is in **Personal** mode.



BASIC OPERATION

Contrast/ Brightness/ Color/ Tint / Sharpness

Press ▼ / ▲ button to select option, then press ◀ / ▶ button to adjust.

Contrast Adjust the highlight intensity of the picture, but the shadow of the picture is invariable.

Brightness Adjust the optical fiber output of the entire picture, it will affect dark region of the picture.

Color Adjust the saturation of the picture based on your own liking

Tint Use in compensating color changed with the transmission in the NTSC code.

Sharpness Adjust the peaking in the detail of the picture

Color Temp

Change overall color cast of the picture

Press ▼ / ▲ button to select Color Temperature, then press **ENTER** button to enter sub-menu.

Press ▼ / ▲ button to select Color Temperature. (Available Picture mode: Cold, Normal, Warm).

Change the value of red, green and blue when the color temperature is in **User** mode



Cold Increase the blue tone for the white.

Normal Set to default color temperature.

Warm Increase the red color for the white

Noise Reduction

Filter out and reduces the image noise to improve picture quality.

Press ▼ / ▲ button to select Noise Reduction , then press **ENTER** button to enter sub-menu.

BASIC OPERATION



Off Select to turn off video noise detection.

Low Detect and reduce low video noise.

Middle Detect and reduce moderate video noise.

High Detect and reduce enhanced video noise.

Default Set as Default.

Sound

Press **MENU** button to display the main menu.

Press **◀ / ▶** button to select **SOUND** in the main menu



Press **▼ / ▲** button to select the option that you want to adjust in the **SOUND** menu.2.

Press **Enter** button to adjust.

After finishing your adjustment, Press **Enter** button to save and return to the previous menu

BASIC OPERATION

Sound Mode

Press **▼ / ▲** button to select Sound Mode, then press **Enter** button to enter sub-menu.

Press **▼ / ▲** button to select.



You can change the value of Treble and Bass when the sound is in Personal mode.

Standard Produces a balanced sound in all environments.

Music Preserves the original sound. Good for musical programs.

Movie Enhances treble and bass for a rich sound experience.

Sports Enhances vocals for sports.

Personal Select to customize sound settings

Note: The treble and bass are only available in **Personal** mode, you can adjust them as you like.

Balance

Press **▼ / ▲** button to select option, Press **◀ / ▶** button to adjust.

Auto Volume level

Press **▼ / ▲** button to select Auto Volume Level, then press **◀ / ▶** button to select On or Off.

SPDIF Mode

Press **▼ / ▲** button to select SPDIF Mode, then press **◀ / ▶** button to select Off / PCM / Auto

AD Switch

Press **▼ / ▲** button to select AD Switch, then press **◀ / ▶** button to select On or Off.

Amblyopia function for the blind, the tracks will be mixed describe the current screen . It needs code stream to support.

Note:

Balance: This item can adjust the speaker's output, it enables you to listen to best at your position.

Auto Volume: This item is used for reducing the difference between channel and program's volume automatically.

BASIC OPERATION

Channel

Press **MENU** button to display the main menu.

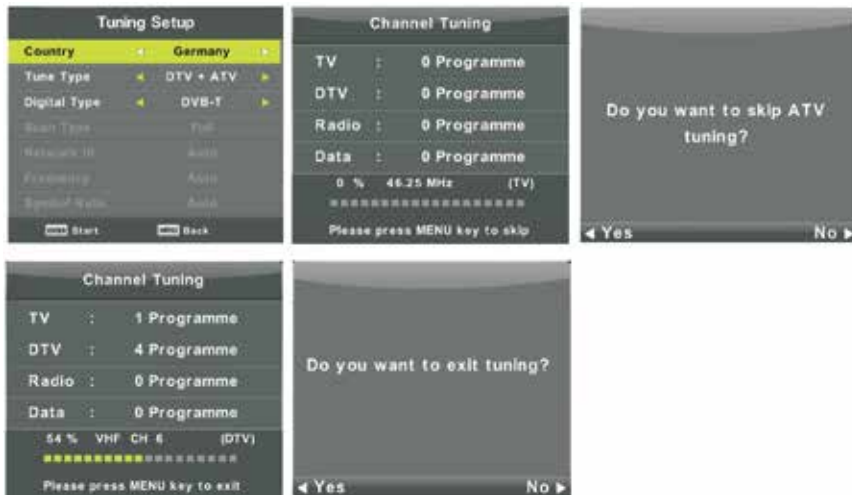
Press **◀ / ▶** button to select **CHANNEL** in the main menu



1. Press **▼ / ▲** button to select the option that you want to adjust in the **CHANNEL** menu.
2. Press **Enter** button to adjust.
3. After finishing your adjustment, Press **Enter** button to save and return to the previous menu

Auto Tuning

Press **▼ / ▲** button to select Auto Tuning, then press **Enter/▶** button to enter



BASIC OPERATION

ATV Manual Tuning

Current CH>

Set the channel number.

Color System>

Select the color system

Sound System>

Select the Sound system

Fine-Tune>

Adjust the frequency of the channel finely.
(Available System: AUTO, PAL , SECAM)

Search>

Start searching channel



DTV (This function might not be available for all models and regions.)

Press **▼ / ▲** button to select Manual Tuning, then press **Enter** button to enter sub-menu.

Press **◀ / ▶** button to select channel, then press **Enter** button to search program.

Manual Tuning



Program Edit (This function might not be available for all models and regions.)

Press **▼ / ▲** button to select Program Edit, then press **Enter** button to enter sub-menu

The three **● ● ●** colored key is the shortcut key for programming the channel

First press **▼ / ▲** to highlight the channel you want to select, then:



BASIC OPERATION

Press the **Red** button to delete the program in the list.

Press the **Yellow** button to move the channel in favorite list.

Press the **Blue** button to skip the selected channel.

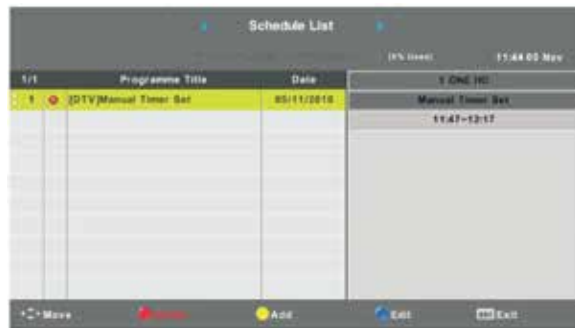
Press Fav button to add or remove the channel to your favorite list.

(Your TV set will skip the channel automatically when using CH+/- to view the channels.)

Schedule List

Press **▼ / ▲** button to select Schedule List, then press **Enter** button to enter sub-menu.

It is available in source



Press the **YELLOW** button to enter the interface below:



When the time appointment is conflict, it will produce a warning message:

BASIC OPERATION



Signal Information

Press **▼ / ▲** button to select **Signal Information**, press the **Enter** button to see the detail information

about the signal. Only available when there is signal in DTV.



The CHANNEL List in Satellite Source

(This function might not available for all models and regions.)



BASIC OPERATION

Auto Tuning

Press ▼ / ▲ button to select Auto Tuning, then press **Enter/▶** button to enter



Dish Setup

Press ▼ / ▲ button to select Dish Setup, and then press **Enter/▶** button to enter.

Press MENU button to call out the main menu.

Highlight "Channel" using navigation buttons and press OK to enter it.

Then highlight "Dish Setup" and press OK to enter it.

Press LEFT/RIGHT navigation button to highlight Left, Middle or Right column.

Press EXIT button to return.



BASIC OPERATION

A. When the "Satellite" column is highlighted:

(1) Press **YELLOW** button to enter Add menu.

Satellite Name

Press RIGHT navigation button to enter rename page.

Use navigation buttons to complete a new name.

Longitude Direction

Press LEFT/RIGHT navigation button to select desired option.

Longitude Angle

Press LEFT/RIGHT navigation button to move the cursor and press number buttons on remote control to input desired value.

Band

Press LEFT/RIGHT navigation button to select desired option.

(2) Press **GREEN** button on remote control to enter **Edit** menu.

The operations of Edit menu are the same as Add menu.

(3) Press **BLUE** button on remote control to enter Scan menu.

Press UP/DOWN navigation button to highlighted desired item.

Press RIGHT navigation button to select desired Scan Mode, Channel Type and Service Type.

(4) Press **RED** button to delete

Press **EPG** button to switch satellite and Transponder.

B. When the "Transponder" (Middle) column is highlighted:

(1) Press **YELLOW** button on remote control to enter Add menu.

Frequency

Press LEFT/RIGHT navigation button to move the cursor and press number buttons on remote control to input desired value.

Symbol (ks/s)

Press LEFT/RIGHT navigation button to move the cursor and press number buttons on remote control to input desired value.

Polarity

Press LEFT/RIGHT navigation button to select desired option

(2) Press **GREEN** button on remote control to enter Edit menu

The operations of Edit menu are the same with Add menu.

(3) Press **BLUE** button on remote control to enter Scan menu.

Press UP/DOWN navigation button to highlighted desired item.

Press LEFT/RIGHT navigation button to select desired Scan Mode, Channel Type and Service Type

BASIC OPERATION

C. When the “Ku_ASTR...” (Right) column is highlighted:

LNB (Low Noise Block) Type

(This function might not be available for all models and regions.)

Press LEFT/RIGHT navigation button to enter submenu. Then use UP/DOWN navigation button to select desired option.

LNB Power

Press LEFT/RIGHT navigation button to select desired option.

22 kHz

Press LEFT/RIGHT navigation button to select desired option.

Toneburst

Press LEFT/RIGHT navigation button to select desired option.

DisEqc1.0 (Digital Satellite Equipment Control)

Press LEFT/RIGHT navigation button to select desired option.

DisEqc1.1

Press LEFT/RIGHT navigation button to select desired option.

Motor

Press LEFT/RIGHT navigation button to select desired option.

7 Day TV GUIDE		
12:00 - 12:59	05 Nov 2010	Sports Age 09
Another high octane hour of ANDRA Drag Racing only on ONE. The Rocket Allstars fire up at the Sydney Dragway for another action packed Friday Night on the quarter mile. #bJ[Teo © Ten]w TD3C4 yyyneTEDU.ir(UV[ElyXJkfvgyy@W3#rllxVTC339X3 [phkr] --)tkg]#		
05 Nov 2010 12:03:58		
1 ONE HD	12:00-12:59	Drag Racing: ANDRA Pro Series
2 AFD0, 4:3	12:59-15:00	Rugby: Grand Slam Tour 2009
3 AFD1, 16:9	15:00-15:30	Sports Tonight Late
4 AFD1, 4:3	15:30-16:01	MVP
5 AFD2, 16:9	16:01-16:31	Real NBA
6 AFD2, 4:3	16:31-17:01	Omnisport
7 AFD3, 16:9	17:01-20:00	Football: Arsenal TV
8 AFD3, 4:3	20:00-21:00	Football: Bundesliga Weekly Highlights

Press UP/DOWN navigation button to select preferred program.

Press LEFT/RIGHT navigation button to switch between left column and right column.

When a program is highlighted (cursor moved to Right column):

Press **RED** button to record program.

Press **GREEN** button repeatedly to set a reminder.

Press **YELLOW** button to display program guide of previous day.

Press **BLUE** button to display program guide of next day.

BASIC OPERATION

Time

Press **MENU** button to display the main menu.

Press ◀ / ▶ button to select **TIME** in the main menu.



Press ▼ / ▲ button to select the option that you want to adjust in the **TIME** menu.2.

Press **Enter** button to adjust.

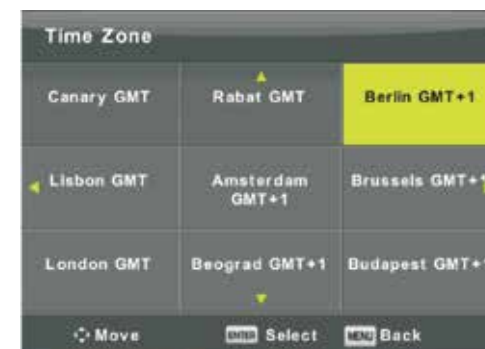
After finishing your adjustment, Press **Enter** button to save and return to the previous menu

Off Time Press ◀ / ▶ button to select On/Off

On Time Press ◀ / ▶ button to select On/Off

Time Zone Press ▼ / ▲ button to select Time Zone, then press **Enter** button to enter sub-menu.

Press ▼ / ▲ / ◀ / ▶ button to select time zone



BASIC OPERATION

Sleep Timer



Press ▼ / ▲ button to select Sleep Timer, then press **Enter** button to enter sub-menu.
Press ▼ / ▲ button to select.

(Available options are:
Off, 10min, 20min, 30min, 60min, 90min,
120min, 180min, 240min).

Auto Standby



Press ▼ / ▲ button to select Auto Standby, then press **ENTER** button to enter sub-menu

Press ▼ / ▲ button to select

Tips: The remote control does not make any operation in the hypothesis time, it will close down automatically. If you do any operation, it will reset time.

OSD Timer



Press ▼ / ▲ button to select OSD Timer, then press **ENTER** button to enter sub-menu

Press ▼ / ▲ button to select

BASIC OPERATION

Lock

Press **MENU** button to display the main menu.

Press ◀ / ▶ button to select **Lock** in the main menu



Press ▼ / ▲ button to select the option that you want to adjust in the **LOCK** menu.

Press **Enter**/◀ / ▶ button to adjust.

After finishing your adjustment, Press **MENU** button to return back to the previous menu



System Lock

Press ▼ / ▲ button to select System Lock,
Then press **ENTER** button to make following
four options valid.

If you forget what you set, please call service
center.

Default password is **0000**



Set Password

Press ▼ / ▲ button to select Set Password,
then press **Enter** button to enter sub-menu to
set new password.

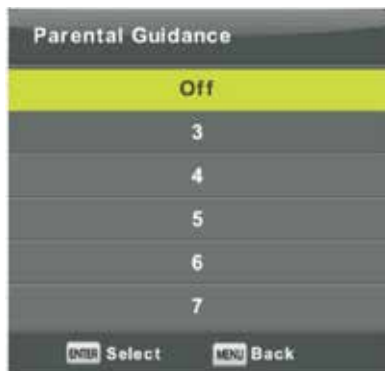
BASIC OPERATION

Channel Lock



Press ▼ / ▲ button to select Channel Lock then press **Enter** button to enter sub-menu to select. Press **GREEN** button to lock or unlock the channel.

Parental Guidance



Press ▼ / ▲ button to select Parental Guidance, then press **Enter** button to enter sub-menu to select the number of age which is suitable for your children.

Key Lock

Press ▼ / ▲ button to select Key Lock, then press ◀ / ▶ button to select Off or On. When Key Lock's statue is on, you can't use the Key panel button.

BASIC OPERATION

Hotel



Press ▼ / ▲ button on the remote control to select hotel mode in the **Lock** menu. Press **Enter** button on the remote control to enter the sub-menu. After finishing your adjustment, Press **MENU** button to save and return back to the previous menu.

Hotel Mode

Press ▼ / ▲ button to select Hotel Mode, then press ◀ / ▶ button to select on or off.

Source Lock

Press ▼ / ▲ button to select Source Lock to lock the source you want, then press **Enter** button to enter sub-menu to select.

Default Source

Press ▼ / ▲ button to select Default Source, then press **ENTER** button to enter sub-menu to select.

Default Prog

Press ▼ / ▲ button to select Default Prog, then press ◀ / ▶ button to adjust. It is available when the default source is TV.

Max Volume

Press ▼ / ▲ button to select Max Volume, then press ◀ / ▶ button to adjust.

Clear Lock

Press ▼ / ▲ button to select Clear Lock, then press **Enter** button to clear the setting you have done before

MULTIMEDIA OPERATION



Media

Note: Before operating **Media** menu, Plug in USB device, then press **SOURCE** button to set the Input Source to **Media** .

Press **▼ / ▲** button to select **Media** in the Source menu, then press **Enter** button to enter. Press **◀ / ▶** button to select the option you want to adjust in the main **Media** menu, then press **Enter** button to enter.

Movie

Press **◀ / ▶** button to select **MOVIE** in the main menu, then press **Enter** button to enter. Press **Exit** button to return to the previous menu and exit menu to quit. Press **◀ / ▶** button to select drive disk you want to watch, then press **Enter** button to enter. Press media button to play the selected movie. Press display button to select menu in the bottom you want to run, then press **Enter** button to operate. Press **Exit** button to back to the previous menu and exit button to quit the entire menu



MULTIMEDIA OPERATION

Music

Press **◀ / ▶** button to select **MUSIC** in the main menu, then press **Enter** button to enter. Press **Exit** button to return to the previous menu and exit menu to quit.



Press **◀ / ▶** button to select drive disk you want to watch, then press **Enter** button to enter.

Press **◀ / ▶** button to select return option to the previous menu.



MULTIMEDIA OPERATION

Photo

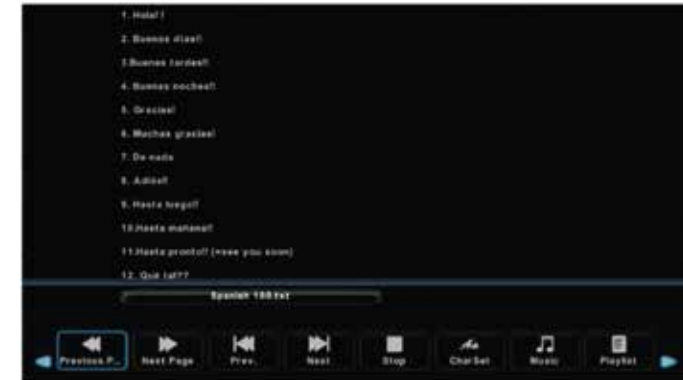
Press ◀ / ▶ button to select PHOTO in the main menu, then press **Enter** button to enter.
Press **Exit** button to return to the previous menu and exit menu to quit.



Press ◀ / ▶ button to select the file you want to watch in the file selecting menu, then press media button to display picture.
When highlighting the option you select, the file information will appear on the right and picture will be previewed in the center.



MULTIMEDIA OPERATION



Text

Press ◀ / ▶ button to select TEXT in the main menu, then press **Enter** button to enter.
Press **Exit** button to return to the previous menu and exit menu to quit.
Press ◀ / ▶ button to select drive disk you want to watch, then press **Enter** button to enter.
Press ◀ / ▶ button to select return option to back to the previous menu.

TECHNICAL SPECIFICATIONS

Display

Screen size:	813mm
Aspect ratio:	16:9
Backlight:	DLED direct type
Maximum Resolution:	1366x768 @ 60HZ
Response time:	20ms
Brightness:	250cd/m2
Contrast:	1200:1 (Typical)
Color Depth:	16.7M colors (8bit)

Technical Specifications

ATV:	PAL, D/K, I, B/G, SECAM D/K, B/G, L/L
DTV:	DVB-T, DVB-T2 H.265 (HEVC) DVB-C, DVB-S2
Speakers:	Dolby Audio, 8Ω,10W + 8Ω,10W
Antenna Inputs:	RF Antenna, F-Type Satellite
HDMI input:	HDMI 1.4 * 2
USB input:	USB 2.0 * 1
CI input:	CI+ * 1
AV inputs:	1 * CVBS mini, 1 * YPbPr mini, SCART * 1 Headphones input * 1, SPDIF Coax * 1

TECHNICAL SPECIFICATIONS

TV Software Functions

Teletext , PVR Recording, EPG,
3D comb filtering, USB Software Update
Hotel mode, Parental guidance
HDMI ARC(HDMI1), HDMI CEC
USB Multimedia playback

Power management

Power input:	100-240V AC 60/50Hz
Rated:	≤ 45 W
Standby:	≤ 0.5W

HDMI

The terms HDMI and HDMI High-Definition Multimedia Interface, and the HDMI Logo are trademarks or registered trademarks of HDMI Licensing Administrator, Inc. in the United States and other countries.



waltonbd.com

